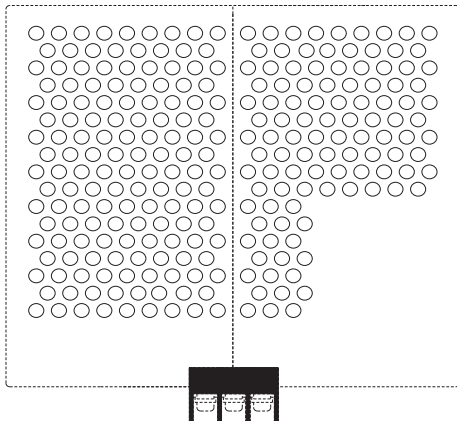
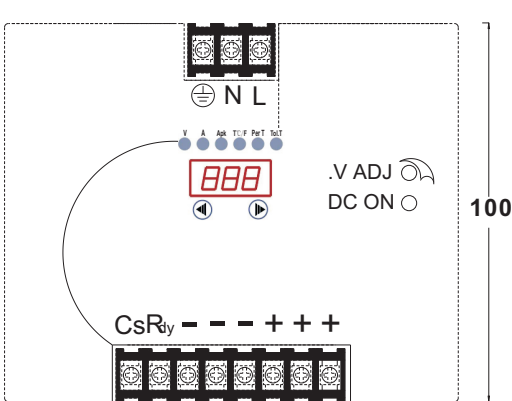




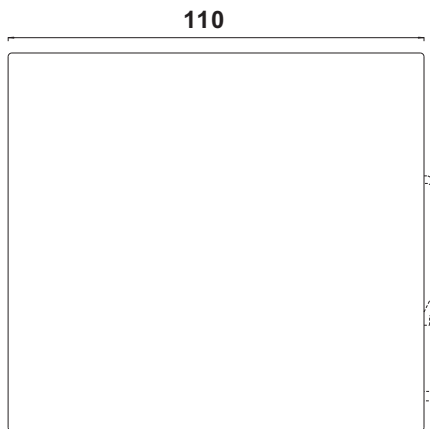
Mechanical Details



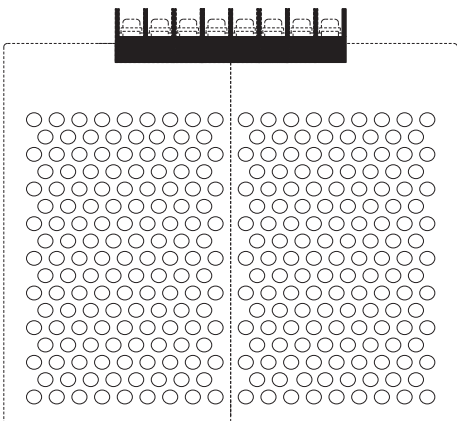
120



100



110



CASE NO. : CS240DR
UNIT:mm
DIMENSIONS:120(W)x100(H)x110(D)

Panel Designation

Designation	Description
N	Neutral Terminal Of AC Input (No Polarity At DC Input)
L	Line Terminal Of AC Input (No Polarity At DC Input)
⊕	Grounding (Earth)
COM	DC Output OK Signal 10A Contact Relay 1A Current Rating
C1	Normal Close Connection
C2	Normal Open Connection
-	DC Negative Output Terminal
+	DC Positive Output Terminal
V adj.	Potentiometer For Output Voltage
DC ON	Green LED Indicator
CS	Current Share Signal

Reign Power reserve the right to change specifications at any time without notice.